



Elastomeric Type 60

Rubber Rings with Polyamide and Polypropylene Center

These wheels provide versatility and flexibility for the end-user.

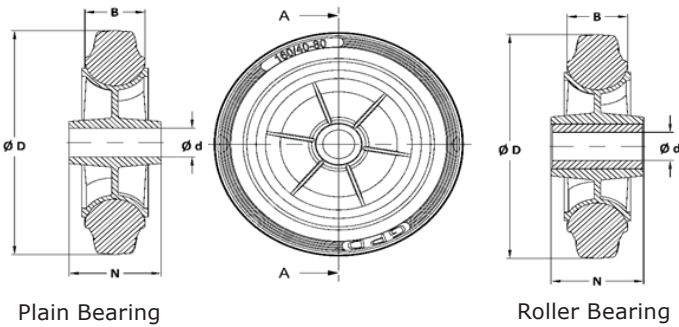
Key Attributes Include:

- Non-marking
- Low rolling resistance
- Protects floors
- Maintenance free
- Noise reduction

Type 60

Rubber Rings with Polyamide and Polypropylene Center

These wheels provide versatility and flexibility for the end-user. The Type 60 is available non-marking options for sensitive floors and customer-facing environments. Suitable for both light and heavy applications, this wheel excels under a wide range of industrial applications.



Technical Data

| | | |
|--------------------|-------|----------------|
| Hardness (Shore A) | | 80 ±5 |
| Load Capacity | | 50 to 200 kg |
| Temperature Range | | -20°C to +70°C |

Dimensions

| Article No Black | Article No Grey | Diameter D | Tread Width B | Hub Length N | Bore Diameter d | Load Capacity [kg] | Bearing Type | Packing Quantity per box [pcs] |
|------------------|-----------------|------------|---------------|--------------|-----------------|--------------------|--------------|--------------------------------|
| CBP804012 | CGP804012 | 80 | 25 | 40 | 12 | 40 | Plain | 2268 |
| CBR804012 | CGR804012 | 80 | 25 | 40 | 12 | 40 | Roller | 2268 |
| CBP1004012 | CGP1004012 | 100 | 30 | 40 | 12 | 70 | Plain | 1218 |
| CBR1004512 | CGR1004512 | 100 | 30 | 45 | 12 | 70 | Roller | 1218 |
| CBP1254515 | CGP1254515 | 125 | 38 | 45 | 15 | 100 | Plain | 723 |
| CBR1254515 | CGR1254515 | 125 | 38 | 45 | 15 | 100 | Roller | 723 |
| CBP1506020 | CGP1506020 | 150 | 40 | 60 | 20 | 135 | Plain | 392 |
| CBR1506020 | CGR1506020 | 150 | 40 | 60 | 20 | 135 | Roller | 392 |
| CBP1606020 | CGP1606020 | 160 | 40 | 60 | 20 | 150 | Plain | 364 |
| CBR1606020 | CGR1606020 | 160 | 40 | 60 | 20 | 150 | Roller | 364 |
| CBP1806020 | CGP1806020 | 180 | 50 | 60 | 20 | 170 | Plain | 239 |
| CBR1806020 | CGR1806020 | 180 | 50 | 60 | 20 | 170 | Roller | 239 |
| CBP2006020 | CGP2006020 | 200 | 50 | 60 | 20 | 205 | Plain | 195 |
| CBR2006020 | CGR2006020 | 200 | 50 | 60 | 20 | 205 | Roller | 195 |

Remarks

No of boxes per 20ft container = 45.
Color and rubber hardness can be customized.
Load capacity tested according to the EN12532.