

Stellana Type 60

Rubber Rings with Polyamide and Polypropylene Center

These wheels provide versatility and flexibility for the end-user.

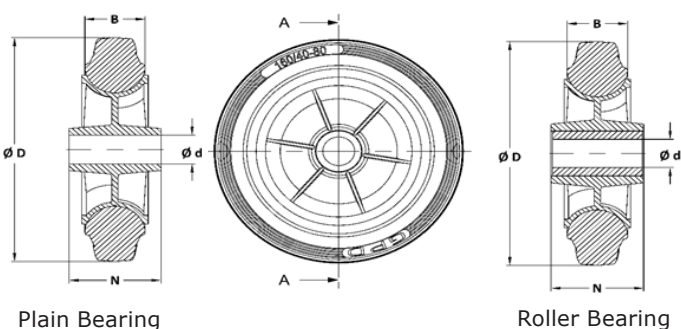
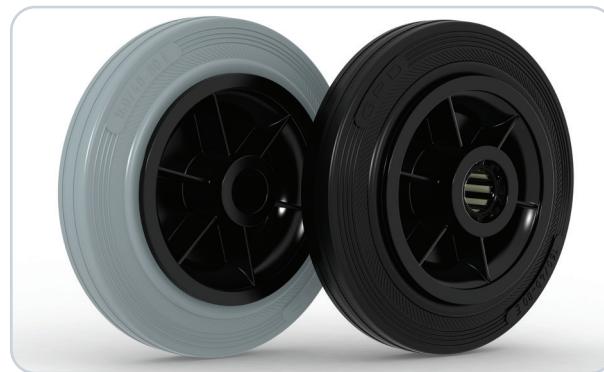
Key Attributes Include:

- Non-marking
- Low rolling resistance
- Protects floors
- Maintenance free
- Noise reduction



Rubber Rings with Polyamide and Polypropylene Center

These wheels provide versatility and flexibility for the end-user. The Type 60 is available with non-marking options for sensitive floors and customer-facing environments. Suitable for both light and heavy applications, this wheel excels under a wide range of industrial applications.



Technical Data

Hardness (Shore A)	80 ±5
Load Capacity	50 to 200 kg
Temperature Range	-20°C to +70°C

Dimensions

Article No Black	Article No Grey	Diameter D	Tread Width B	Hub Length N	Bore Diameter d	Load Capacity [kg]	Bearing Type	Packing Quantity per box [pcs]
CBP804012	CGP804012	80	25	40	12	40	Plain	2268
CBR804012	CGR804012	80	25	40	12	40	Roller	2268
CBP1004012	CGP1004012	100	30	40	12	70	Plain	1218
CBR1004512	CGR1004512	100	30	45	12	70	Roller	1218
CBP1254515	CGP1254515	125	38	45	15	100	Plain	723
CBR1254515	CGR1254515	125	38	45	15	100	Roller	723
CBP1506020	CGP1506020	150	40	60	20	135	Plain	392
CBR1506020	CGR1506020	150	40	60	20	135	Roller	392
CBP1606020	CGP1606020	160	40	60	20	150	Plain	364
CBR1606020	CGR1606020	160	40	60	20	150	Roller	364
CBP1806020	CGP1806020	180	50	60	20	170	Plain	239
CBR1806020	CGR1806020	180	50	60	20	170	Roller	239
CBP2006020	CGP2006020	200	50	60	20	205	Plain	195
CBR2006020	CGR2006020	200	50	60	20	205	Roller	195

Remarks

No of boxes per 20ft container = 45.
 Color and rubber hardness can be customized.
 Load capacity tested according to the EN12532.