

Rubber Rings

Rubber Rings for Castors

Natural Rubber Wheels for Diverse Applications.
Excellent Performance Indoors and Outdoors.
Elastic, Antistatic and Conductive Compounds.

Key Attributes Include:

- Non-marking
- Low rolling resistance
- Protects floors
- Maintenance free
- Noise reduction

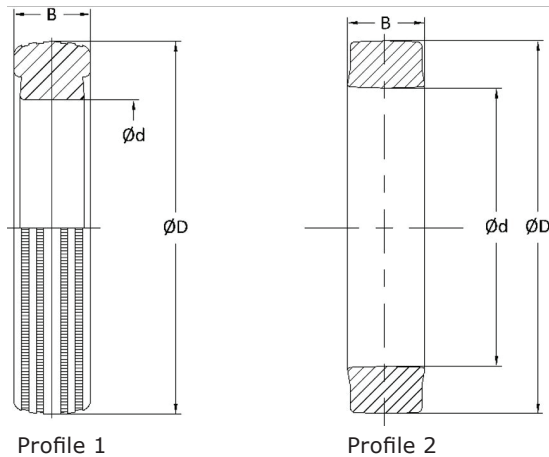


Rubber Wheels for Casters

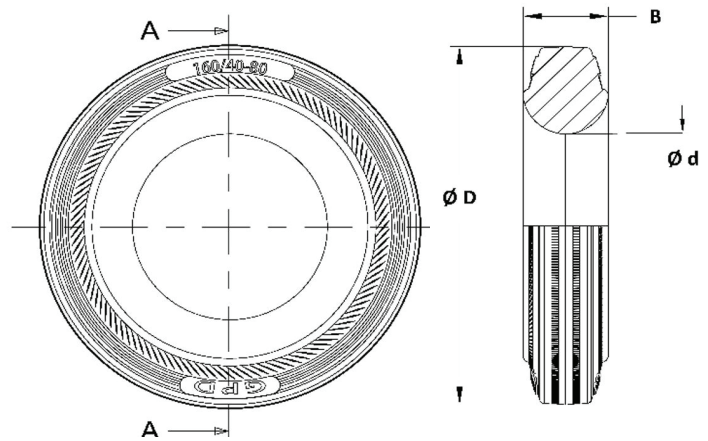
Our rubber rings for casters can be used for both light and heavy applications. These wheels are made from natural rubber, making them suitable for a diverse application range. These rubber rings offer excellent performance in both indoor and outdoor use. Also available in elastic, anti-static, and conductive versions.



Apparatus Type Rubber Rings



Industrial Type Rubber Rings



Technical Data

Tread Hardness (Shore A) 80 ±5

Article No Black	Article No Grey	Items Dimensions	Profile Design	Packing Quantity per box [pcs]
BR5020	GR5020	50 x 20	Profile 2	9000
BR7525	GR7525	75 x 25	Profile 1	3870
BR10025	GR10025	100 x 25	Profile 1	2207
BR10032	GR10032	100 x 32	Profile 2	1680
BR12525	GR12525	125 x 25	Profile 1	1334
BR12530	GR12530	125 x 32	Profile 2	993
BR15030	GR15030	150 x 30	Profile 2	754

Remarks

No of boxes per 20ft container = 45.
Color and rubber hardness can be customized.

Technical Data

Tread Hardness (Shore A) 80 ±5

Article No Black	Article No Grey	Items Dimensions	Packing Quantity per box [pcs]
BR802550	GR802550	80 x 25 - 50	3108
BR1003050	GR1003050	100 x 30 - 50	1738
BR1253750	GR1253750	125 x 37.5 - 50	936
BR1403770	GR1403770	140 x 37.5 - 70	776
BR1503770	GR1503770	150 x 37.5 - 70	636
BR1504080	GR1504080	150 x 40 - 80	554
BR1604080	GR1604080	160 x 40 - 80	540
BR1804590	GR1804590	180 x 45 - 90	369
BR18050100	GR18050100	180 x 50 - 100	342
BR20050100	GR20050100	200 x 50 - 100	273
BR22555115	GR22555115	225 x 55 - 115	190
BR25060130	GR25060130	250 x 60 - 130	144
BR28070150	GR28070150	280 x 70 - 150	92

Remarks

No of boxes per 20ft container = 45.
Color and rubber hardness can be customized.